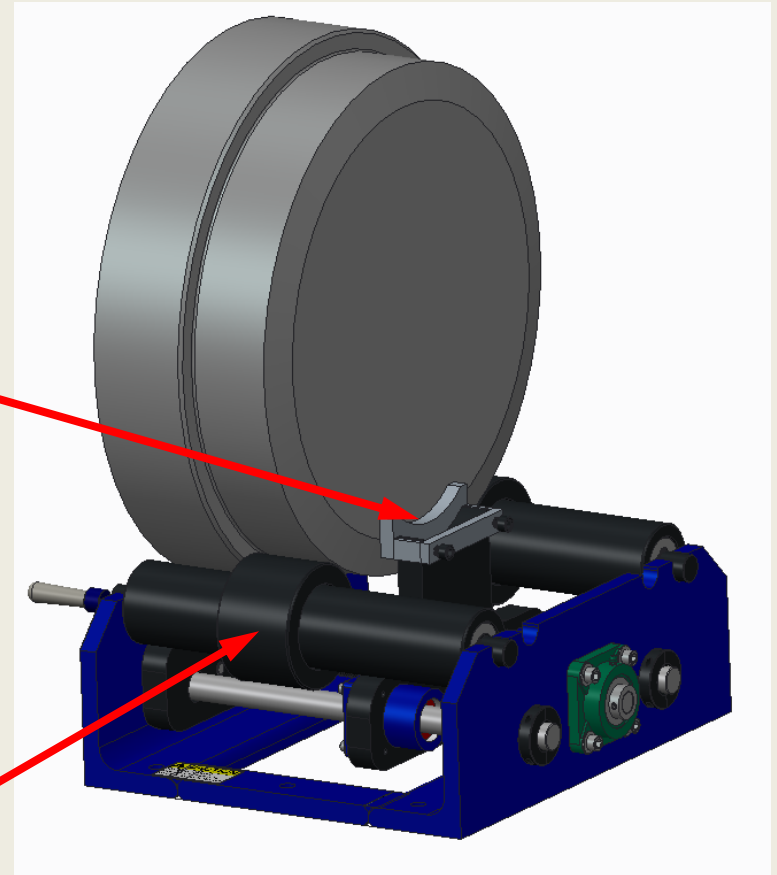


Die Vises - Accessories



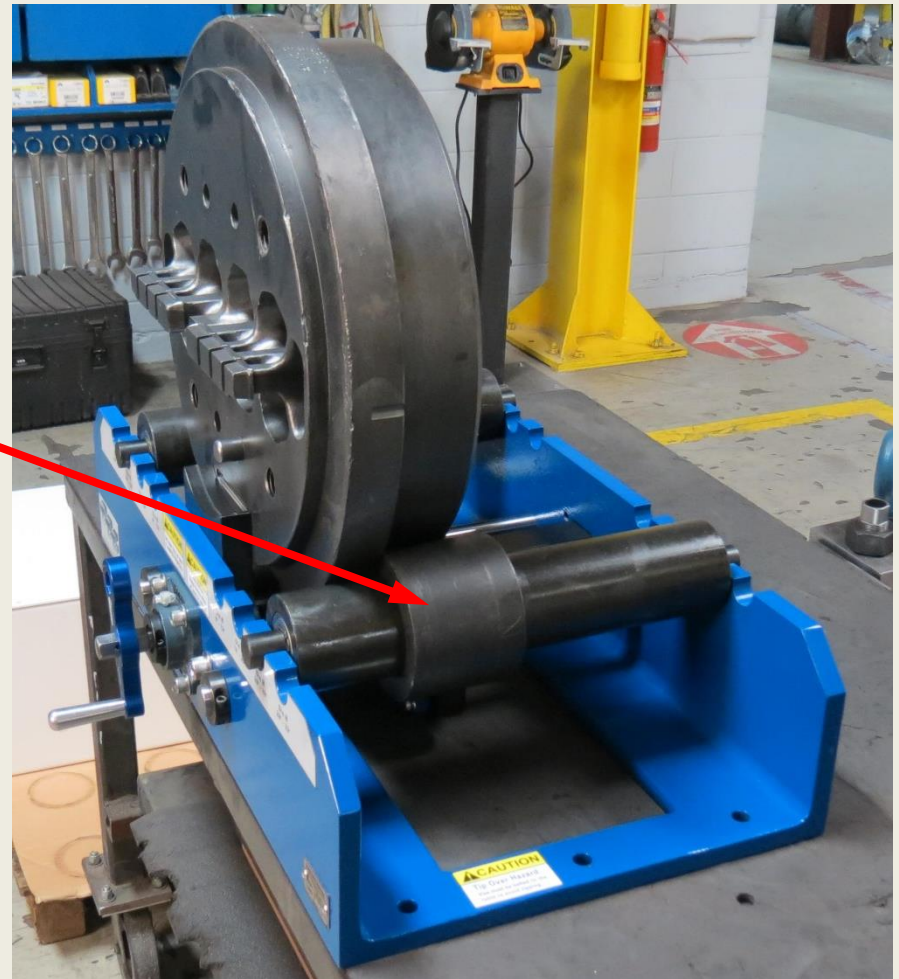
- **Jaw Extensions**
 - Used when part has a large step in the diameter or a tapered diameter. Extends the height of the back jaw so that it makes more contact with the part
- **Roller Sleeves**
 - Helps stabilize part that has a large step in the diameter or a tapered diameter
 - Slide over roller supports
 - Made to size – can be tapered to fit die shape



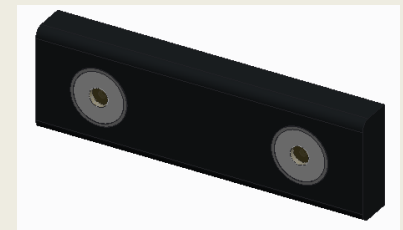
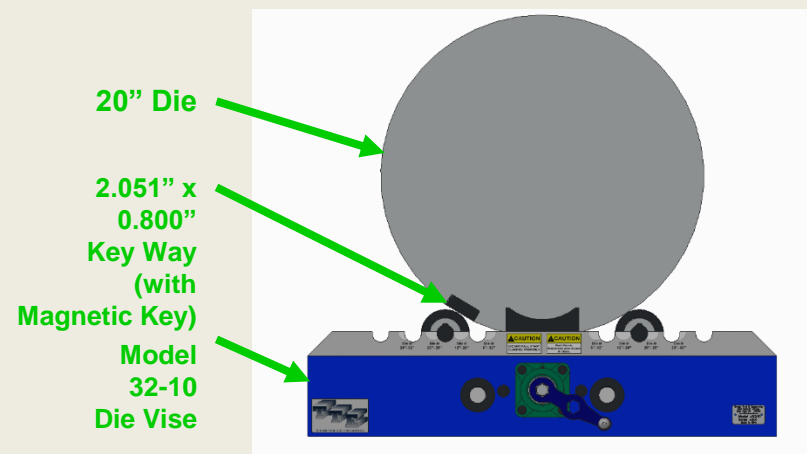
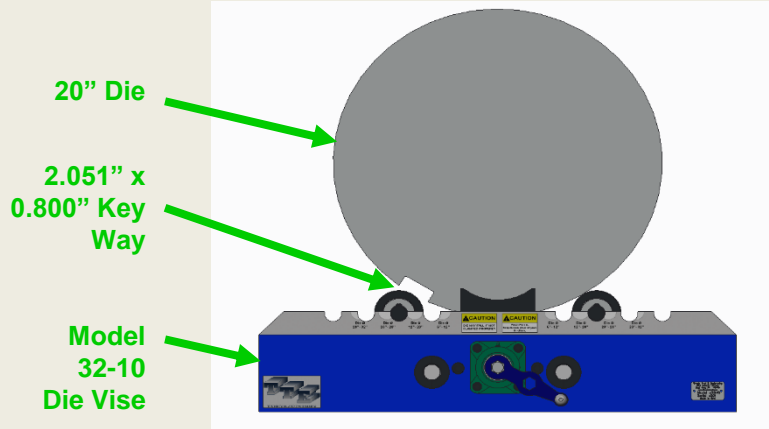
Die Vises - Accessories



- **Roller Sleeves**
 - Helps stabilize part that has a large step in the diameter or a tapered diameter
 - Slide over roller supports
 - Made to size – can be tapered to fit die shape



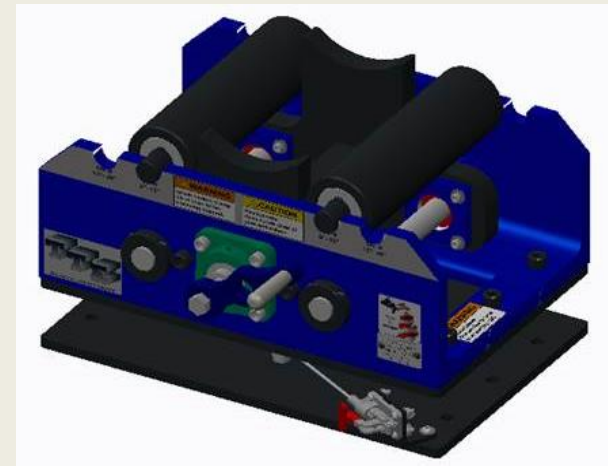
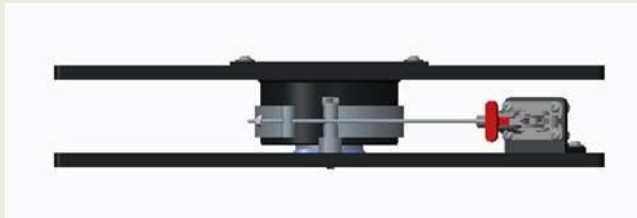
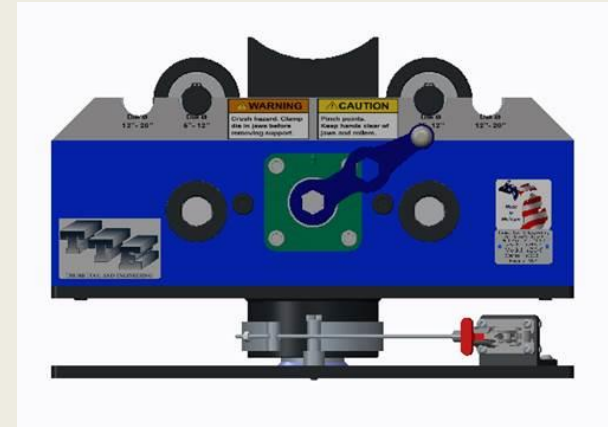
Die Vise Magnetic Key



Die Vises – Turntable



- Mounts with the same holes as the model #20-6 die vise
- Provides 360° rotation, and can be clamped at any angle
- Minimum height increase (3.2")



Model 20-6 Polishing Table



- Model 20-6 die vise mounts directly onto a pedestal that lifts 9" and also rotates 360°
- The pedestal is 100% manual powered. Thus, no need for electrical or shop air installation.
- The pedestal adjusts the height vertically with a travel of 9 inches.
- The turntable allows 360° rotation and can be clamped in any position.

